

CERTIFICATE of Conformity



Registration No.: AK 50547020 0001

Report No.: CN21YPCU 002

Holder: **GoodWe Technologies Co., Ltd.**
No.90 Zijin Rd., New District
215011 Suzhou
P.R. China

Product: **Inverter**
(Grid-connected Inverter)

Identification: Type Designation: GW10K-BT GW8K-BT GW6K-BT GW5K-BT
GW10K-ET GW8K-ET GW6.5K-ET GW5K-ET
GW10KN-ET GW8KN-ET GW6.5KN-ET GW5KN-ET
Firmware Version: 080819
continued on page 0002

Tested acc. to: RD 1699:2011
RD 661:2007
RD 413:2014
UNE 206006 IN:2011
UNE 217002:2020

The certificate of conformity refers to the above mentioned product. This is to certify that the specimen is in conformity with the assessment requirement mentioned above. This certificate does not imply assessment of the production of the product and does not permit the use of a TÜV Rheinland mark of conformity.

Certification Body

Date 13.06.2022



Weichun Li

TÜV Rheinland LGA Products GmbH - Tillystraße 2 - 90431 Nürnberg

CERTIFICATE of Conformity



Registration No.: AK 50547020 0002

Report No.: CN21YPCU 002

Holder: **GoodWe Technologies Co., Ltd.**
No.90 Zijin Rd., New District
215011 Suzhou
P.R. China

Product: **Inverter**
(Grid-connected Inverter)

Identification: Serial Number: Enginnering Samples
Remark : Compliance with the requirements of RD 244/
2019, Annex I.Refer to test report CN21YPCU
002 for details.

Tested acc. to: RD 1699:2011
RD 661:2007
RD 413:2014
UNE 206006 IN:2011
UNE 217002:2020

The certificate of conformity refers to the above mentioned product. This is to certify that the specimen is in conformity with the assessment requirement mentioned above. This certificate does not imply assessment of the production of the product and does not permit the use of a TÜV Rheinland mark of conformity.

Certification Body

Date 13.06.2022




Weichun Li

TÜV Rheinland LGA Products GmbH - Tillystraße 2 - 90431 Nürnberg

CERTIFICADO

de conformidad

Anexo a

Attachment to

No. de registro: AK 50547020 0001-0002
Registration No.

No. de informe: CN21YPCU 002
Report No.

Titular de licencia: GoodWe Technologies Co., Ltd.
License Holder

No.90 Zijin Rd., Suzhou New District, Jiangsu 215011, P. R. China

Tipo de producción: Inversor fotovoltaico conectado a la red
Type of production

Modelo: GW10K-BT, GW8K-BT, GW6K-BT, GW5K-BT
Model GW10K-ET, GW8K-ET, GW6.5K-ET, GW5K-ET
GW10KN-ET, GW8KN-ET, GW6.5KN-ET, GW5KN-ET

Versión de firmware: 080819
Firmware version

Estándar: RD1699 : 2011
Standards RD661 : 2007
RD413 : 2014
RD244 : 2019/ ANEXO I
UNE 206006 IN : 2011
UNE 217002 :2020

Fecha de emisión: 13.06.2022
Date of issue

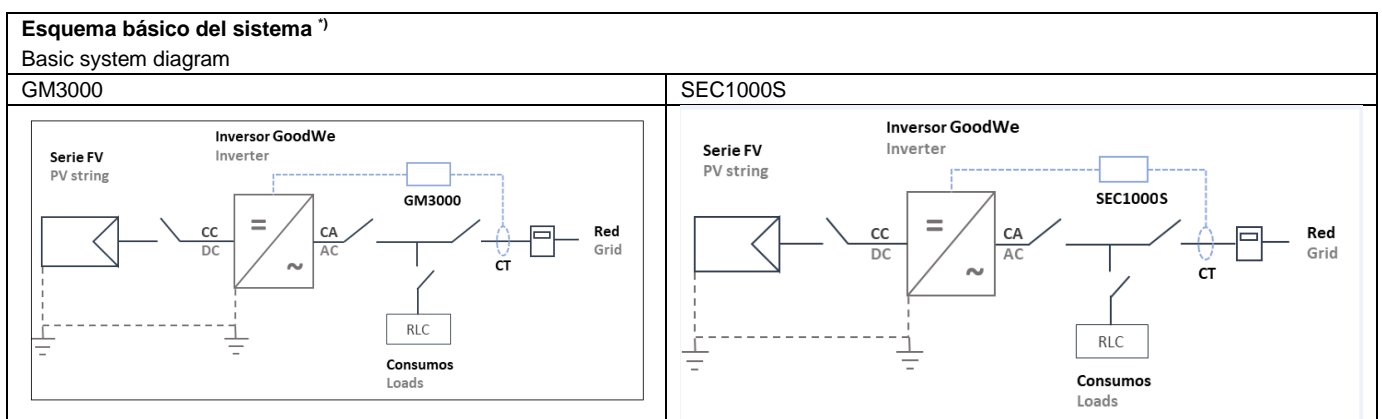
El certificado de conformidad hace referencia al producto mencionado anteriormente. Esto es para certificar que la muestra se encuentra en conformidad con el requisito de evaluación mencionado anteriormente. Este certificado no implica una evaluación de la producción del producto y no permite el uso de una marca de conformidad TÜV Rheinland.

The certificate of conformity refers to the above mentioned product. This is to certify that the specimen is in conformity with the assessment requirement mentioned above. This certificate does not imply assessment of the production of the product and does not permit the use of a TÜV Rheinland mark of conformity.

| Información del inversor | | | |
|---|------------------------|------------------------|------------------------|
| Inverter information | | | |
| Modelo Model | GW10K-BT | GW8K-BT | GW6K-BT |
| Potencia nominal CA Nominal AC Power | 10000 W | 8000W | 6000 W |
| Tensión nominal CA Nominal AC voltage | 400V, 3L/N/PE | 400V, 3L/N/PE | 400V, 3L/N/PE |
| Corriente máxima CA Maximal AC current | 16.5 A | 13.5 A | 10.5A |
| Frecuencia nominal Nominal frequency | 50 Hz | 50 Hz | 50 Hz |
| Rango de tensión MPPT MPPT voltage range | 180-600 V | | |
| Tensión CC máxima Max. DC voltage | 1000 V | 1000 V | 1000 V |
| Corriente DC máxima Max. DC current | 25.0/25.0 A | 25.0/25.0 A | 25.0/25.0 A |
| Elemento de control Control device | Controller in Inverter | Controller in Inverter | Controller in Inverter |
| Tipo de dispositivo de control Type of control device | Integrated | Integrated | Integrated |

| Información del inversor | | | | | |
|---|------------------------|------------------------|-----------|------------------------|----------|
| Inverter information | | | | | |
| Modelo Model | GW5K-BT | GW10K-ET | GW10KN-ET | GW8K-ET | GW8KN-ET |
| Potencia nominal CA Nominal AC Power | 5000 W | 10000 W | | 8000 W | |
| Tensión nominal CA Nominal AC voltage | 400V, 3L/N/PE | 400V, 3L/N/PE | | 400V, 3L/N/PE | |
| Corriente máxima CA Maximal AC current | 8.5 A | 16.5 A | | 13.5 A | |
| Frecuencia nominal Nominal frequency | 50 Hz | 50 Hz | | 50 Hz | |
| Rango de tensión MPPT MPPT voltage range | 180-600 V | 200-850 | | | |
| Tensión CC máxima Max. DC voltage | 1000 V | 1000 V | | 1000 V | |
| Corriente DC máxima Max. DC current | 25.0/25.0 A | 12.5/12.5 A | 16/16 A | 12.5/12.5 A | 16/16 A |
| Elemento de control Control device | Controller in Inverter | Controller in Inverter | | Controller in Inverter | |
| Tipo de dispositivo de control Type of control device | Integrated | Integrated | | Integrated | |

| Información del inversor Inverter information | | | | |
|--|-------------------------------|------------|------------------------|----------|
| Modelo Model | GW6.5K-ET | GW6.5KN-ET | GW5K-ET | GW5KN-ET |
| Potencia nominal CA Nominal AC Power | 6500 W | | 5000 W | |
| Tensión nominal CA Nominal AC voltage | 400V, 3L/N/PE | | 400V, 3L/N/PE | |
| Corriente máxima CA Maximal AC current | 10.8 A | | 8.5 A | |
| Frecuencia nominal Nominal frequency | 50 Hz | | 50 Hz | |
| Rango de tensión MPPT MPPT voltage range | 200-850V | | | |
| Tensión CC máxima Max. DC voltage | 1000 V | | 1000 V | |
| Corriente DC máxima Max. DC current | 12.5/12.5A | 16/16 A | 12.5/12.5 A | 16/16 A |
| Elemento de control Control device | Controller in Inverter | | Controller in Inverter | |
| Tipo de dispositivo de control Type of control device | Integrated | | Integrated | |
| Información general del dispositivo de control externo ^{*)} General information of external control device. | | | | |
| Fabricante Manufacturer | GoodWe Technologies Co., Ltd. | | | |
| Modelo Model | GM3000 | | SEC1000S | |
| Aplicación Application | 3 Phase | | 3 Phase | |
| Tensión nominal Nominal voltage | 400 Vac/3P/N | | 400 Vac/3P/N | |
| Corriente máxima Max. current | 120 A | | See CT Table | |
| Clase de precisión Class of accuracy | Class 1 | | Class 1 | |
| Tipo de comunicación Type of communication | RS485 | | RS485 | |



***) Para cumplir los requisitos de RD244: 2019 / ANEXO I y UNE 217001 IN: 2020, se instalará el dispositivo adicional.**
For fulfill the requirements of RD244 : 2019/ ANEXO I and UNE 217001 IN : 2020, the additional device shall be installed.